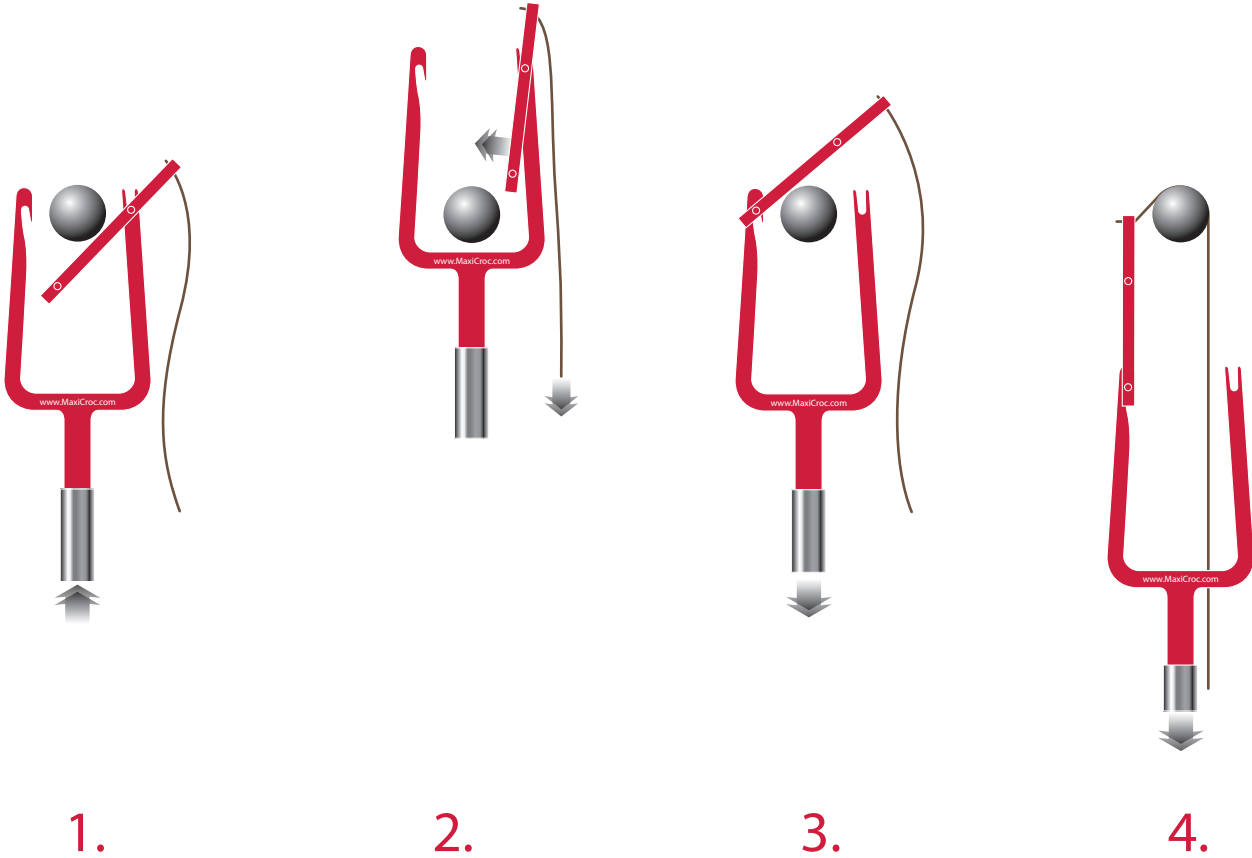


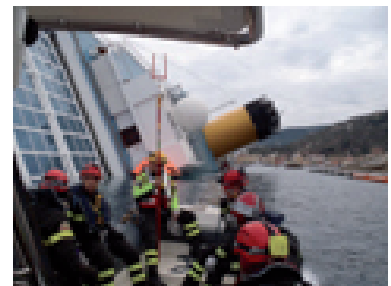
## MaxiCroc

---

### How to use



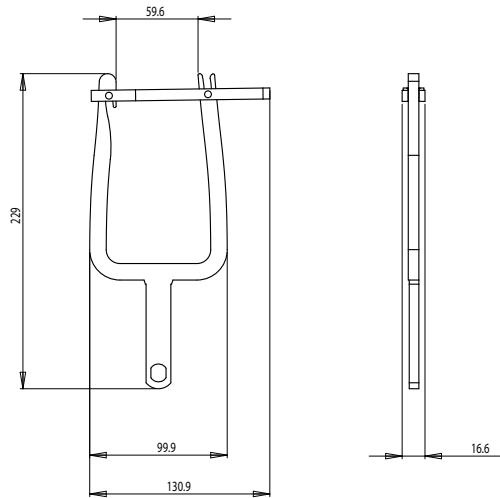
### Sample of use



# MaxiCroc

---

## Specifications

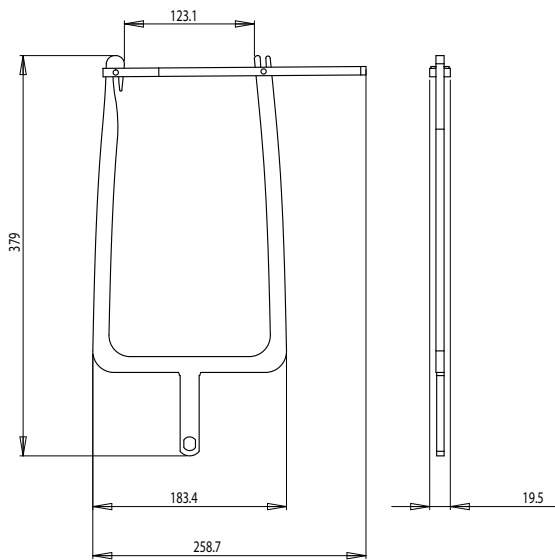


MC55

Weight : 135 g

Material : Anodized Aluminium

Color : Red

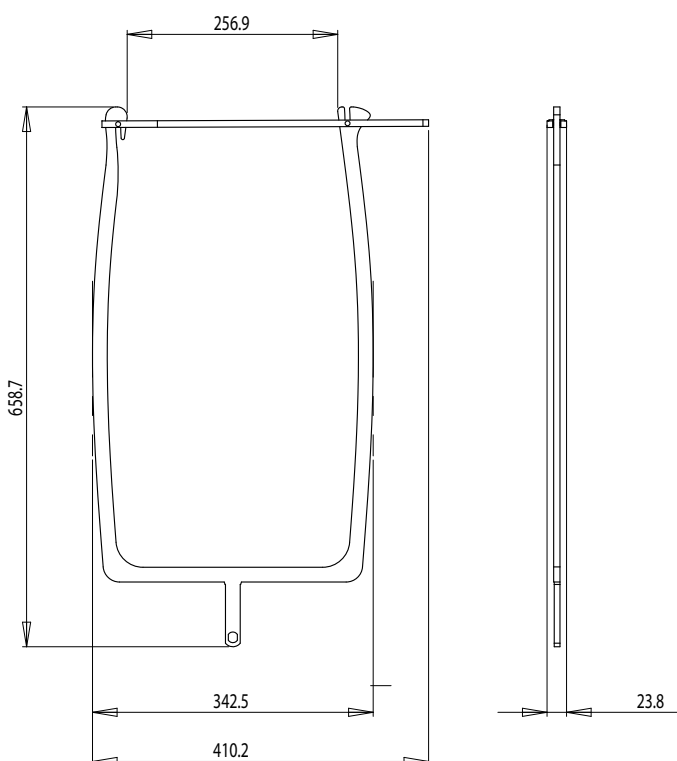


MC120

Weight : 320 g

Material : Anodized Aluminium

Color : Red



MC250

Weight : 715 g

Material : Anodized Aluminium

Color : Red